

**Telaio/** with raised casing

SWING DOOR



 **DAYORIS**  
DOORS

# Types of Applications

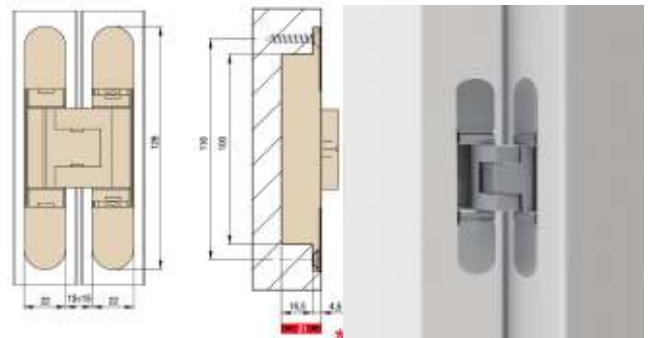


## Finishes

Primed / Laminated Import

Laminated Suncrest / Matte Lacquer

Wood veneer



## What's included

Technical Specifications:  
 Solid Core Door Slab  
 Finish – Designer's choice  
 Hinges – CEAM Italia 3D adjustable  
 Frame – Wood finished  
 Handset – DAYORIS Italia  
 Mortise – Bonaiti Magnetic  
 Design – Designers Choice

## Frame Profile

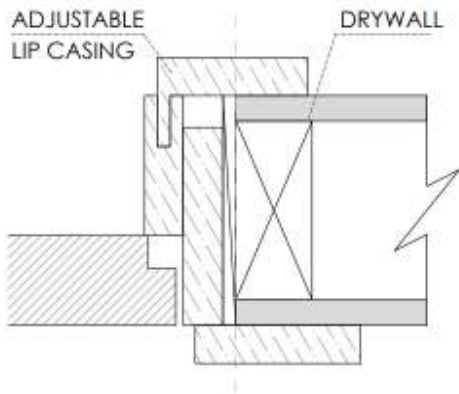


Adaptable Lip Casing

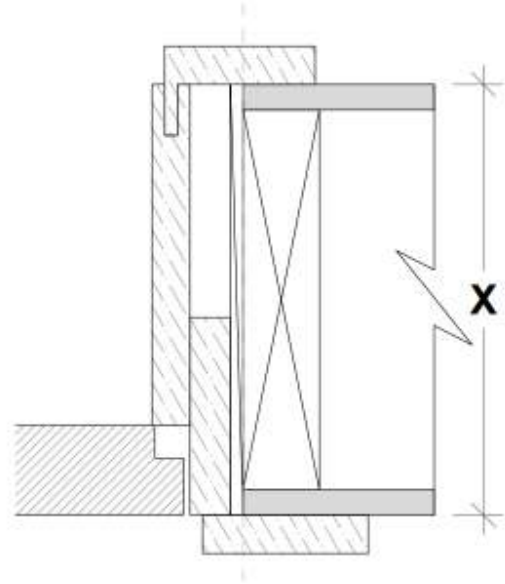
\* Optional Upgrades

# Benefits of Telaio/ with raised casing

## Drywall Return



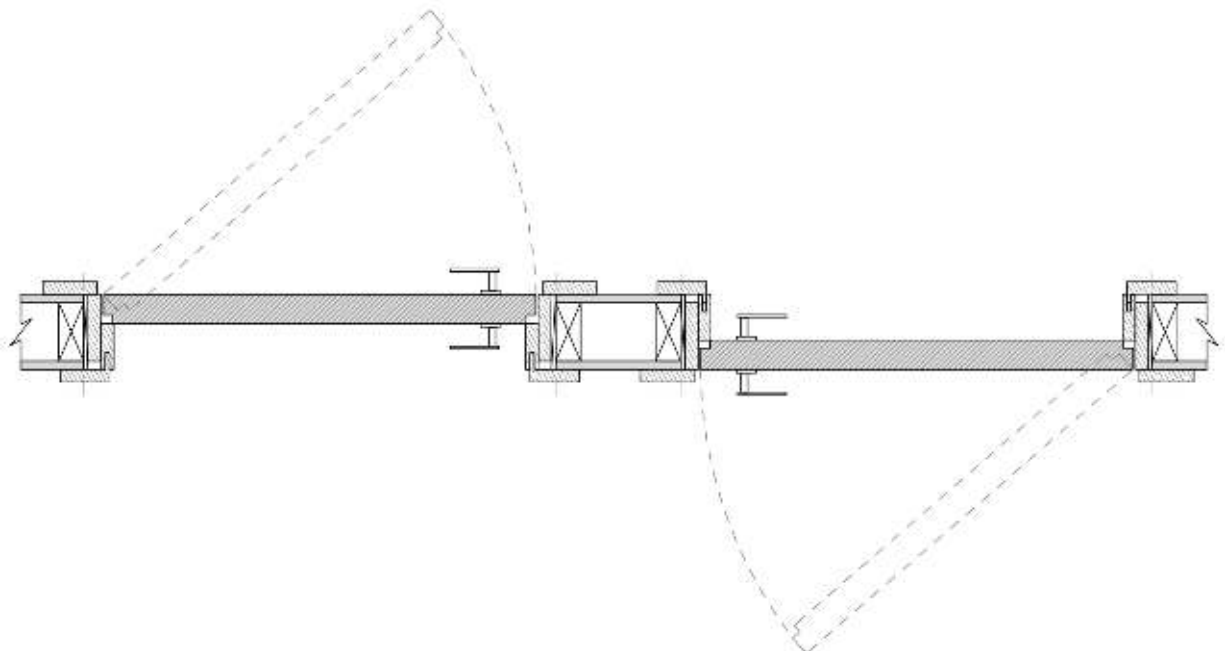
## Any Wall Thickness



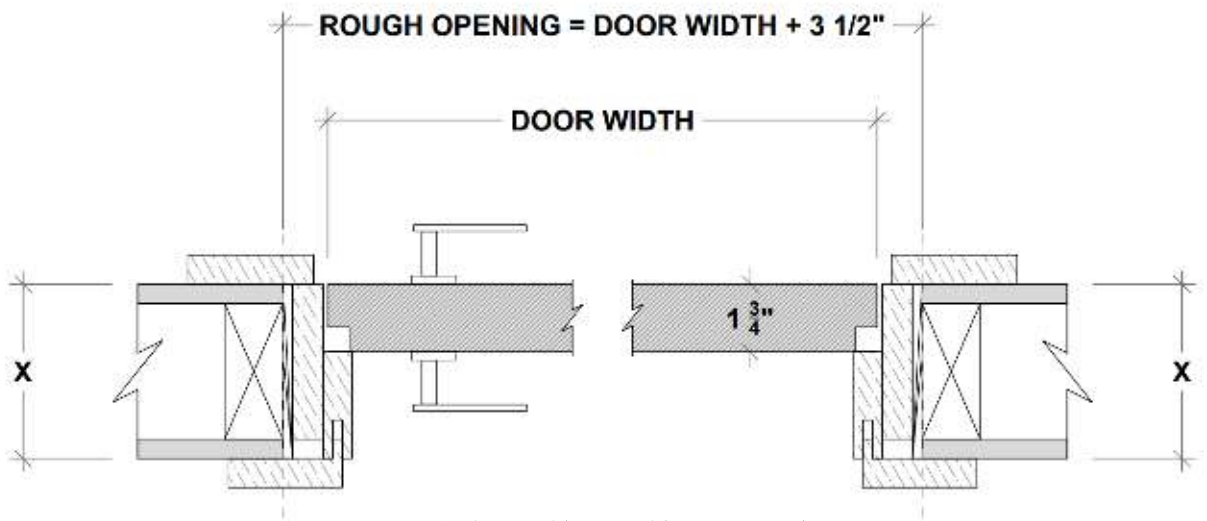
## Door orientation

### In-swing recessed in wall

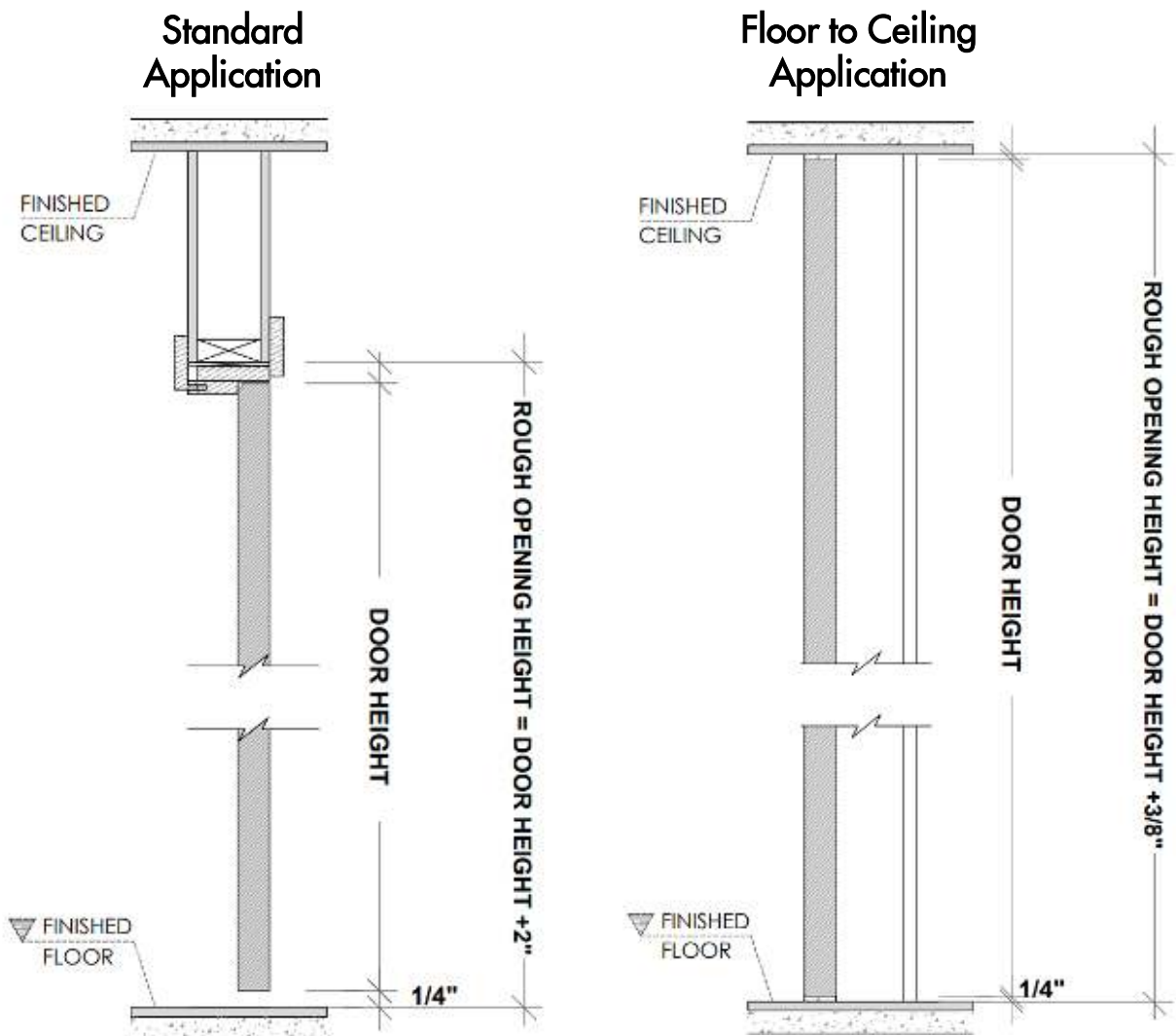
### Out-swing flush to the wall



# Framing Instructions Telaio/ with raised casing



X = THE WALL CAN BE ANY THICKNESS  
 ALL OPENINGS MUST HAVE WOOD SUPPORT ( 2" x 4", 2" x 6", 2" x 8", ... )

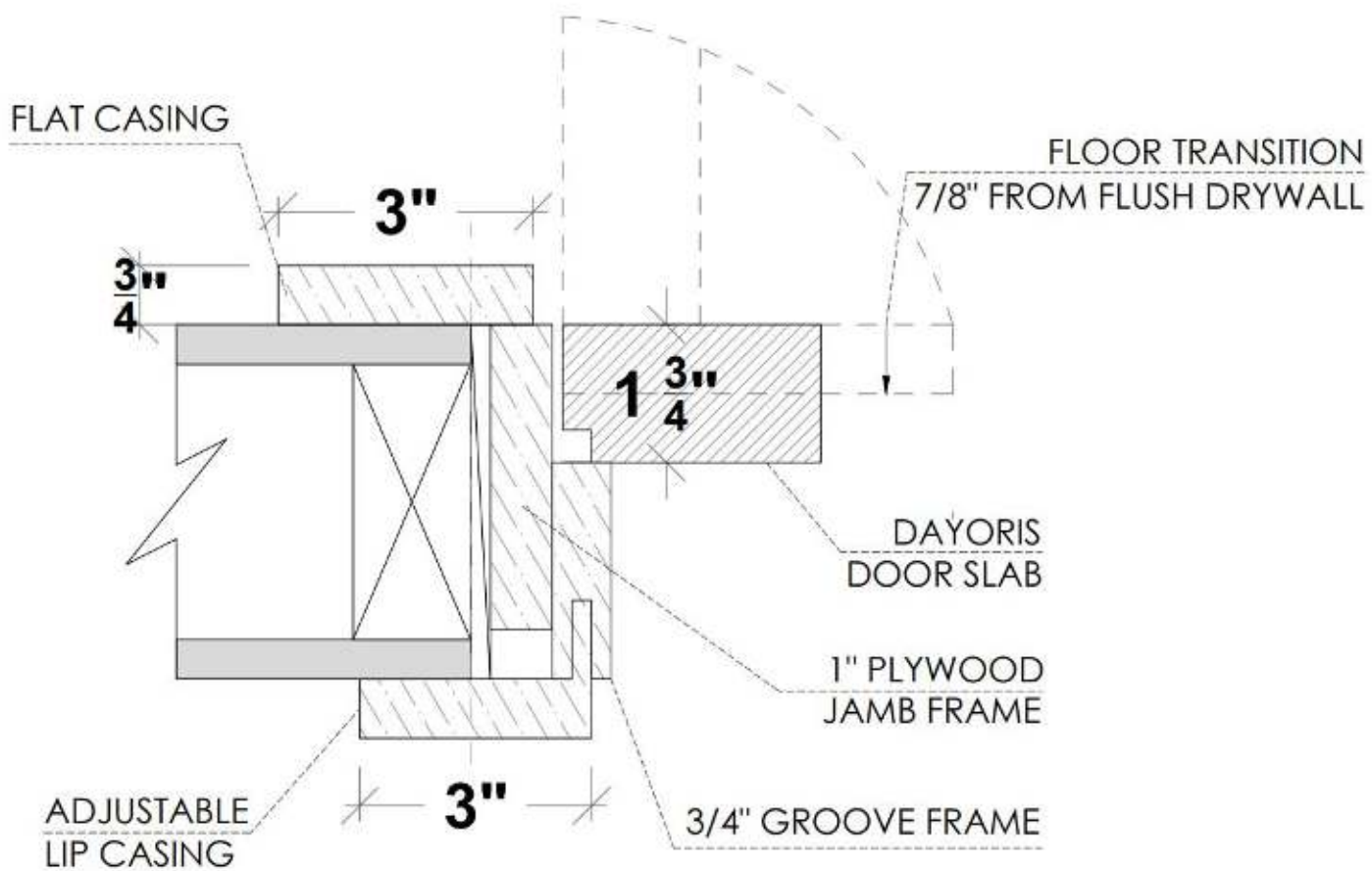
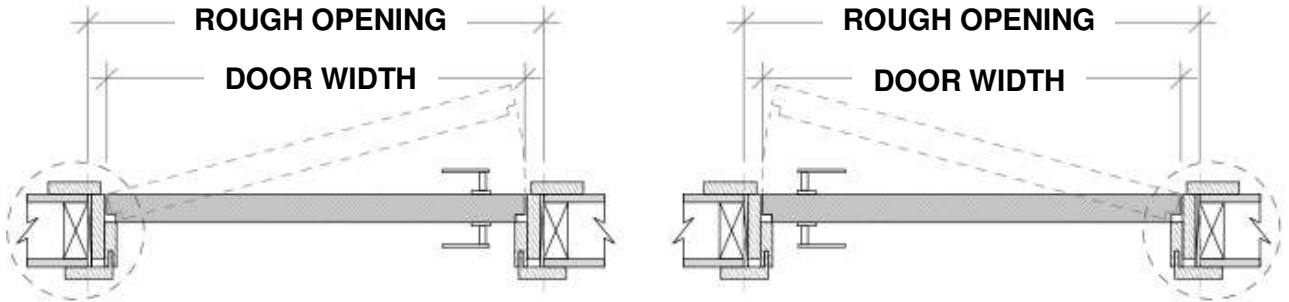


PLEASE ACCOUNT FOR FINISHED FLOOR FOR ALL MEASUREMENTS GIVEN TO DAYORIS.

# Inswing Application

Left Hand Inswing

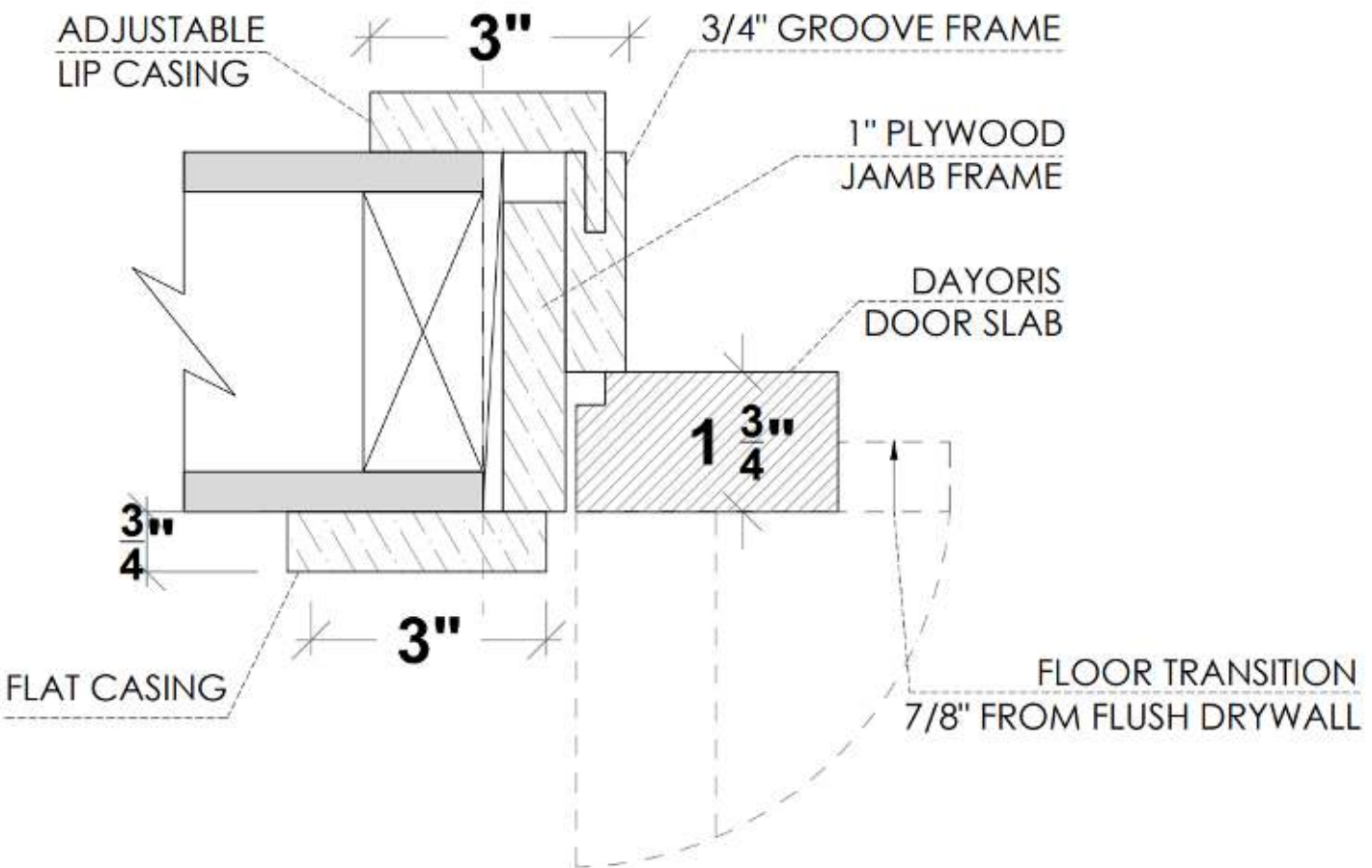
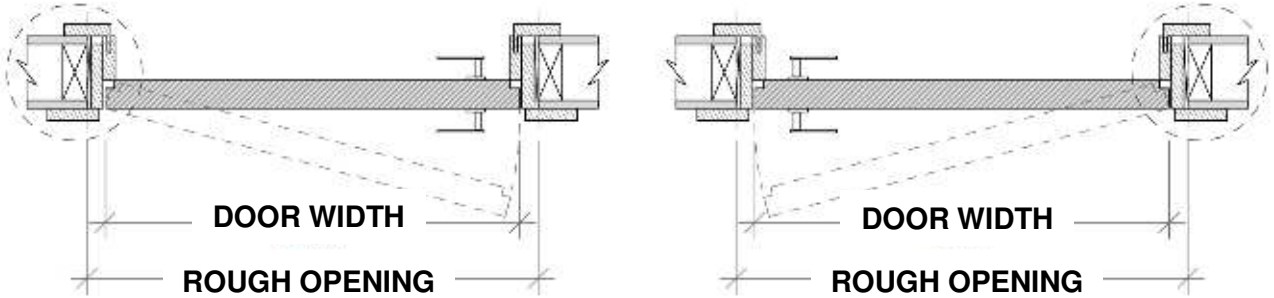
Right Hand Inswing



# Outswing Application

Right Hand Outswing

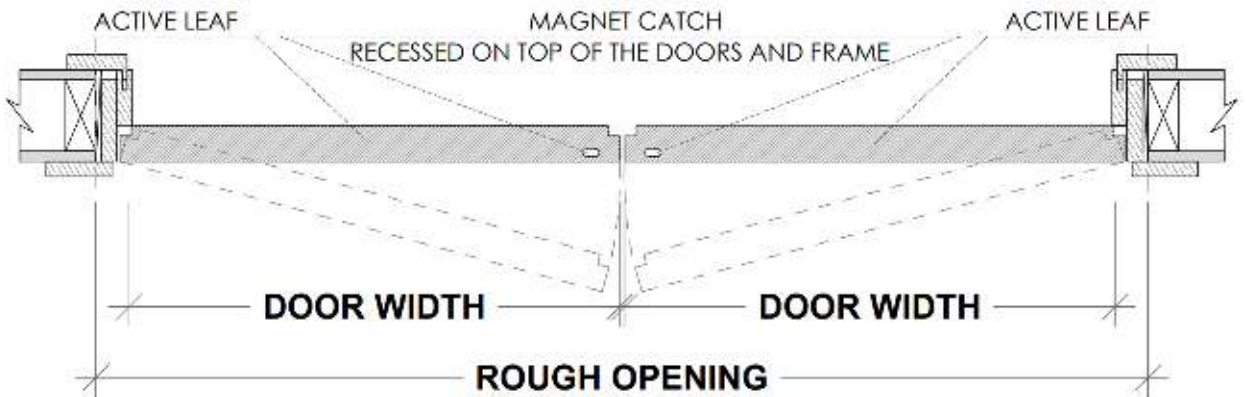
Left Hand Outswing





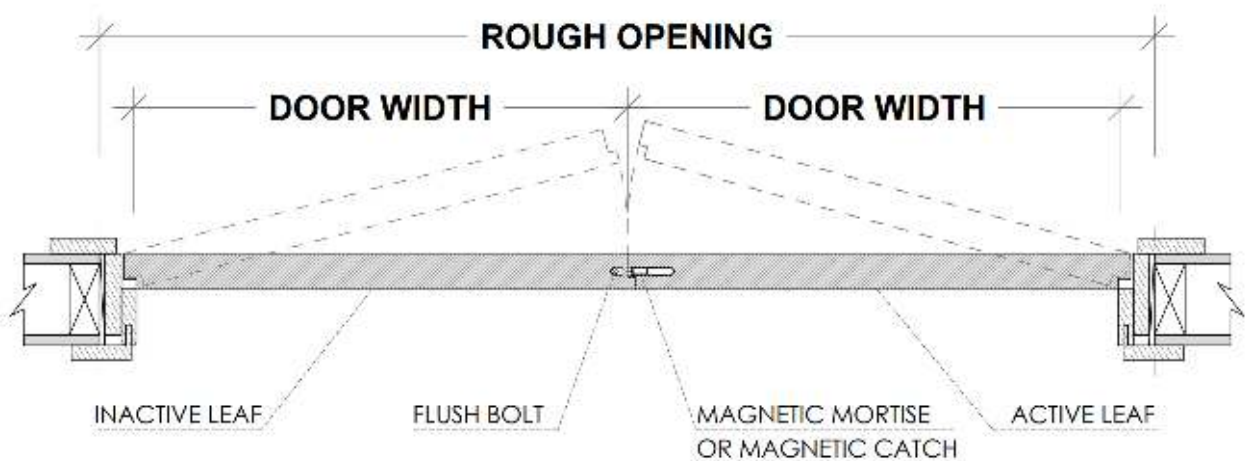
# Double Door Applications Telaio/ with raised casing

## Double Dummy Application with top magnetic catch ( both active )



$$\text{ROUGH OPENING} = ( \text{DOOR WIDTH} \times 2 ) + 3 \frac{1}{2}"$$

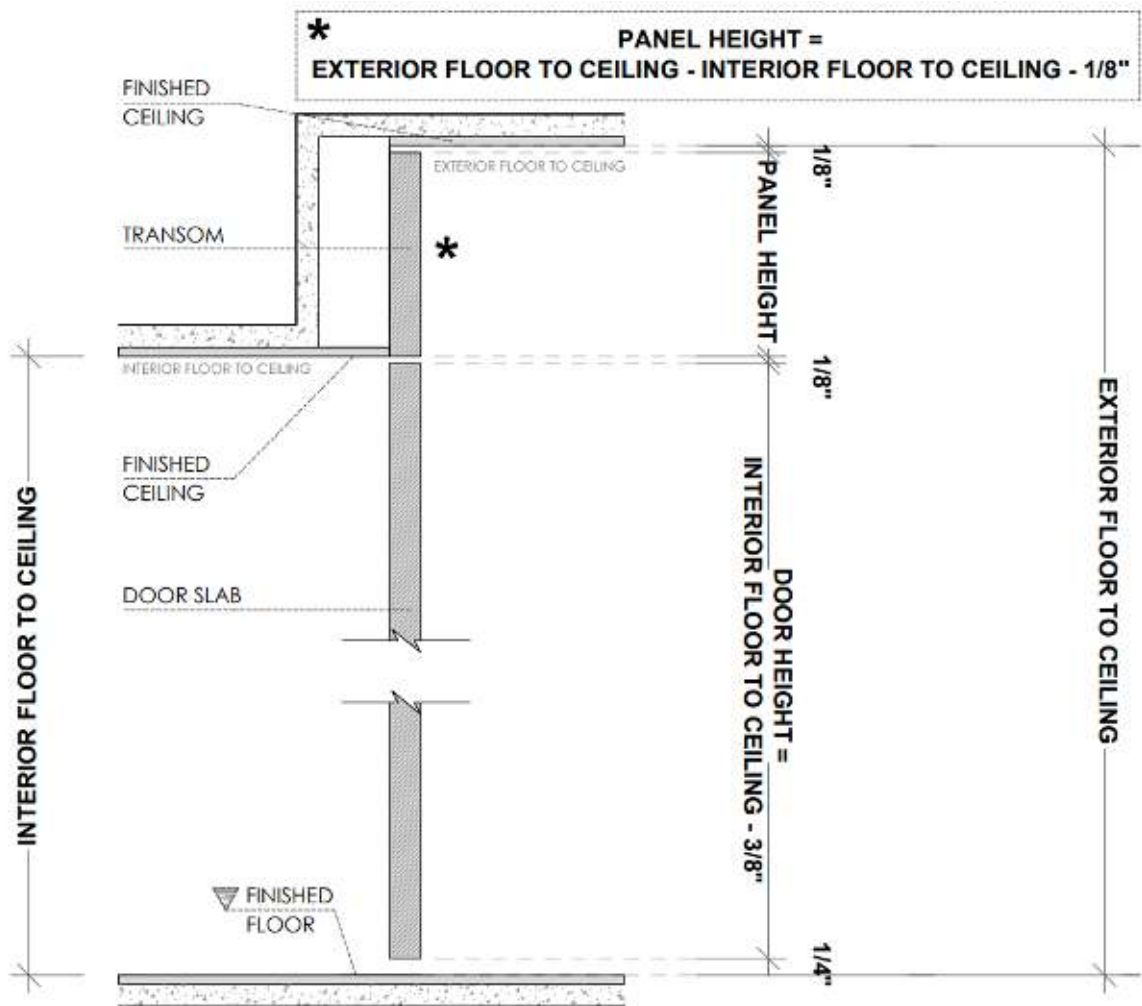
## Active / Inactive Door with flush bolts



RHA (RIGHT HAND ACTIVE) SHOWN

$$\text{ROUGH OPENING} = ( \text{DOOR WIDTH} \times 2 ) + 3 \frac{1}{2}"$$

# Telaio with Transom Application

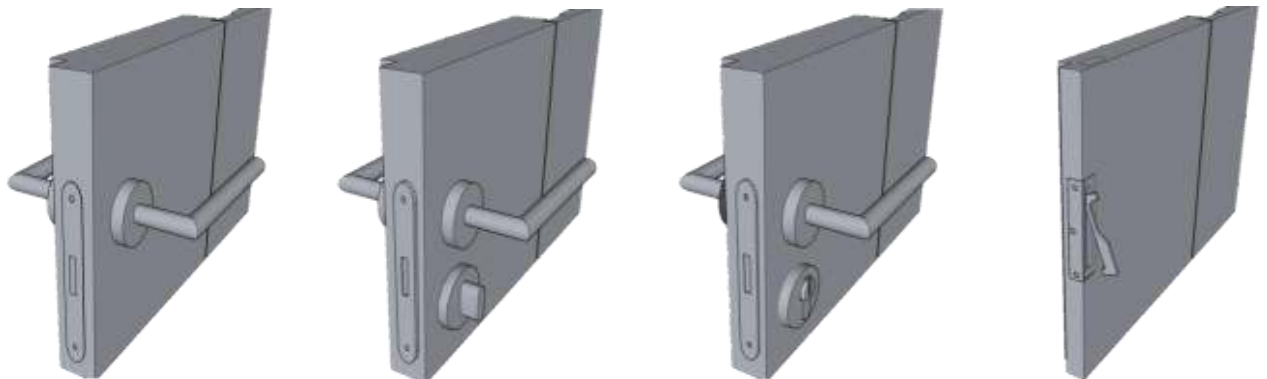




# Hardware



# Lock Types for Swing Doors



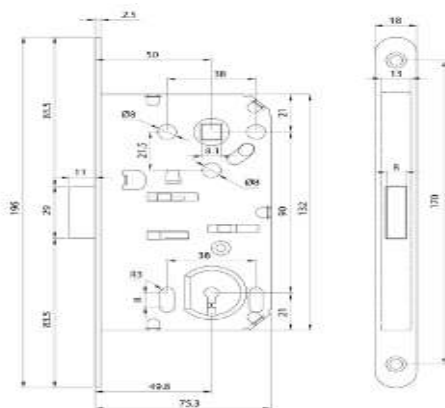
Passage (PA)

Privacy (PV)

Privacy Keyed \*

Knife pull + Magnet catch

# Bonaiti Magnetic Lock



\* Optional Upgrades

# Telaio/ with raised casing

## Installation Instructions

Doors and frames arrive mortised and cut to size.



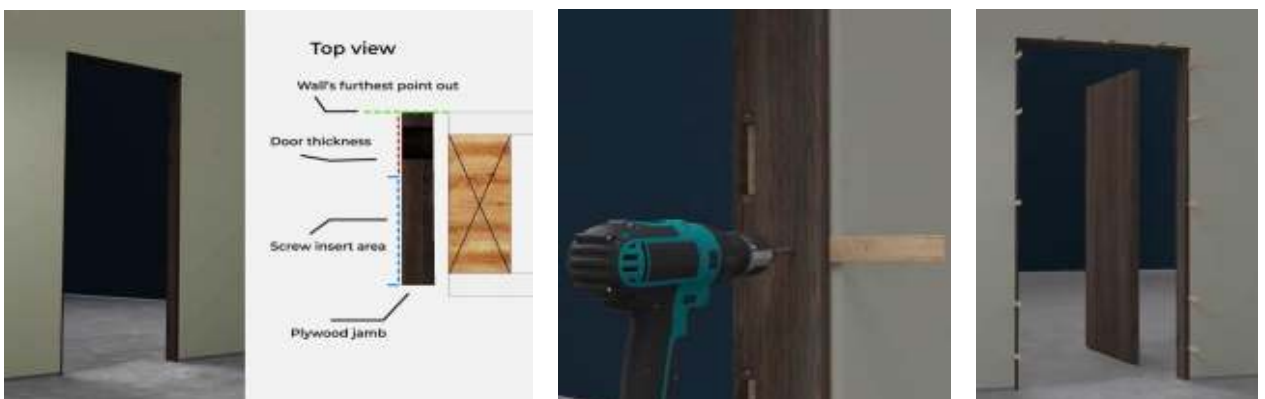
### Verify the level of the wall and rough openings

Identify the furthest point out of level of the wall. (This is where the door is installed).



### Installing the plywood jamb frame

Place and screw wood shims leveling the plywood jamb frame inside 2'x4' rough, then remove frame stabilizers.



# Telaio/ with raised casing

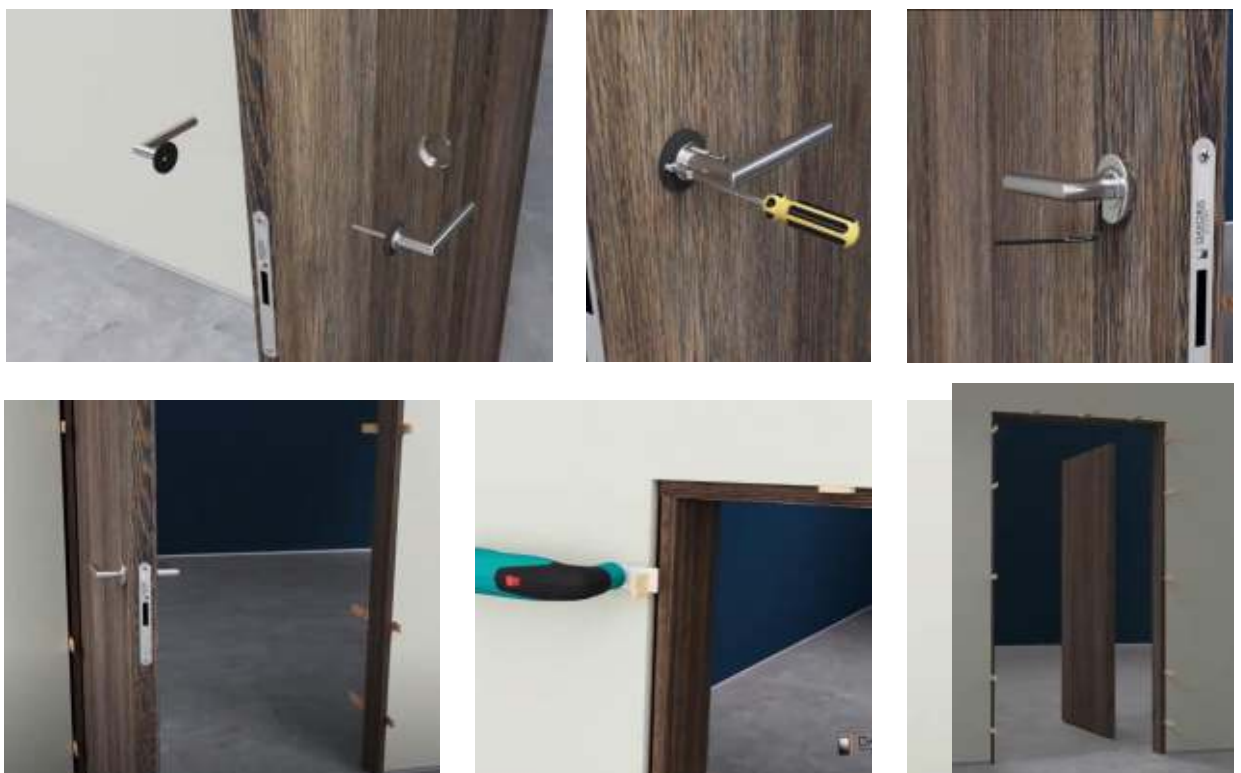
## Hinge installation

Fit and screw hinges into the frame and door, then connect and screw hinges together while hanging door inside the plywood jamb frame. Use hinge adjustment screws to center door inside of the plywood jamb frame.



## Handle installation

Screw handles into the mortised holes of the door and install rosettes. Proceed to cut the wood shims around the frame.



# Telaio/ with raised casing Finishing Technique

## Casing Installation

Front side: Groove piece installation is glued tight against the door, then insert the lip casing into the groove piece jamb.



Rear side: Proceed to install the flat casing all around the door. Flat casing is glued tight against the wall.

